

## SERIES 4200 & 4300 HOSE GATE VALVES

*For Use with Hose Valves, Pump Test Connection Valves, and Hydrant Valves*

HOSE GATE VALVE WITH CAP AND CHAIN, available with either a rising stem or a non-rising stem, cast brass, and red handwheel. Female N.P.T. inlet x male hose thread outlet. Brass solid wedge disc and tapered seat.

**DESIGNED FOR DRY SYSTEMS ONLY.**

### MODEL SELECTION

#### VALVES

- 4215 2-1/2" Valve With Rising Stem
- \*4235 3" x 2-1/2" Valve With Rising Stem
- 4305 1-1/2" Valve With Non-Rising Stem
- \*4315 2-1/2" Valve With Non-Rising Stem
- \*4335 3 x 2-1/2" Valve With Non-Rising Stem
- \*4365 2-1/2" Valve With Non-Rising Stem and Swivel Inlet

NOTE: \* = UL Listed



MODEL 4315 (Shown)

### PRODUCT OPTIONS

#### FINISHES:

- B Polished Brass
- C Rough Chrome Plated
- D Polished Chrome Plated

#### THREADS:

- N.S.T.     Other \_\_\_\_\_

#### VARIATIONS: (Cap w/ Chain)

- With Rocker Lugs

Call Potter Roemer - Fire Pro for current listings and approvals. Dimensions are subject to manufacturer's tolerance and may change without notice. Potter Roemer-Fire Pro assumes no responsibility for use of void or superseded data. © Copyright Potter Roemer- Fire Pro, Member of Morris Group International™ Please visit [potterroemer.com](http://potterroemer.com) for most current specifications.

**4200&4300 SERIES** Date: 04/04/24

**MEMBERSHIP**



FIRE EQUIPMENT  
MANUFACTURERS'  
ASSOCIATION



### POTTER ROEMER

Headquarters:  
P.O. Box 3527  
City of Industry, CA  
91744 U.S.A.  
Los Angeles Area  
800-366-3473  
626-855-4890

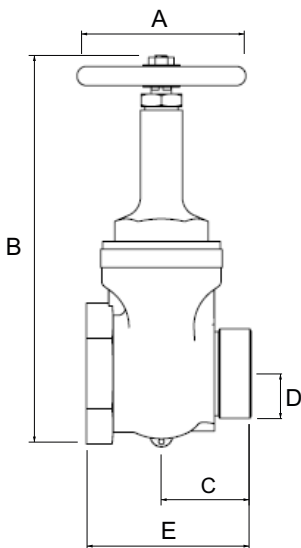
Also in:  
New York (800) 526-4592  
Chicago (800) 547-3473  
Atlanta (800) 762-0542  
Miami (833) 744-3473  
Dallas (866) 644-3473

[www.potterroemer.com](http://www.potterroemer.com)

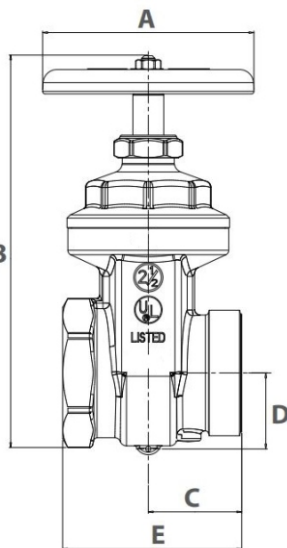
**MODEL DIMENSIONS**

Model No.	Size	Pressure	UL Listed	A	B OPEN	B CLOSED	C	D	E
4215	2-1/2	200 lb.	No	5-3/4	16-1/4	13-1/2	2-7/8	2-1/2	6-1/2
4235	3 x 2-1/2	300 lb.	Yes	5-3/4	16-1/4	13-1/2	3-1/8	2-1/2	6-13/16
4305	1-1/2	200 lb.	No	3-3/4	6-7/8	6-7/8	1-1/4	1-1/4	2-1/2
4315	2-1/2	300 lb.	Yes	5-1/8	9-13/16	9-13/16	2-1/4	2-1/16	4-11/32
4335	3 x 2-1/2	300 lb.	Yes	5-1/8	9-15/16	9-15/16	2-1/4	2-3/16	4-17/32
4365	2-1/2	300 lb.	Yes	5 1/8	9-11/16	9-11/16	2-1/4	2-1/16	5-5/16

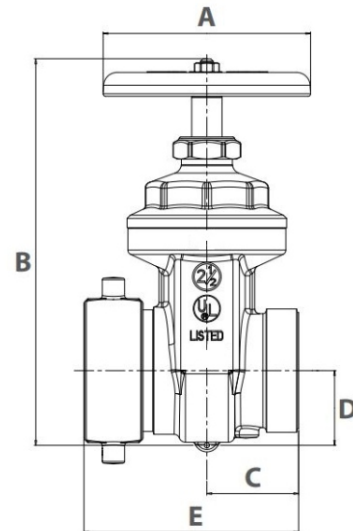
ALL DIMENSIONS IN INCHES



**MODEL 4215-4235**



**MODEL 4305-4335**



**MODEL 4365**

Call Potter Roemer - Fire Pro for current listings and approvals. Dimensions are subject to manufacturer's tolerance and may change without notice. Potter Roemer - Fire Pro assumes no responsibility for use of void or superseded data. © Copyright Potter Roemer - Fire Pro, Member of Morris Group International™ Please visit [potterroemer.com](http://potterroemer.com) for most current specifications.

**4200&4300 SERIES**

**MEMBERSHIP**



**POTTER ROEMER**

Headquarters:  
P.O. Box 3527  
City of Industry, CA  
91744 U.S.A.  
Los Angeles Area  
800-366-3473  
626-855-4890

Also in:  
New York (800) 526-4592  
Chicago (800) 547-3473  
Atlanta (800) 762-0542  
Miami (833) 744-3473  
Dallas (866) 644-3473

[www.potterroemer.com](http://www.potterroemer.com)